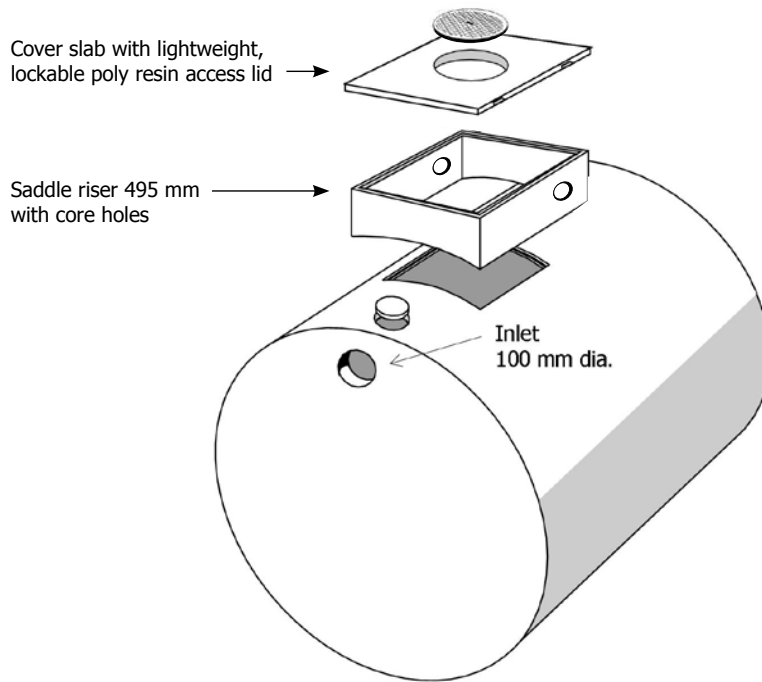


Ri-Scape tank • 4,000 litre with 900L pump chamber

| Item | Approx Mass |
|---------------------------|-------------|
| 4,000 litre Ri-Scape tank | 3,700kg |



The tanks have been designed to be buried with the top of the tank located 900mm maximum below ground level and with the cover slab at ground level.

