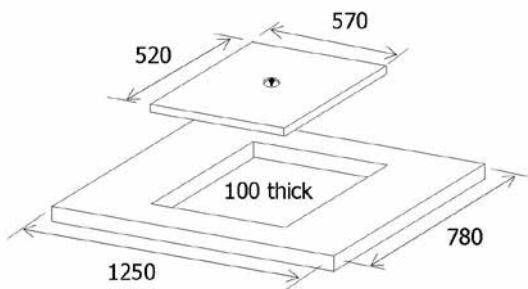


Saddle risers, increments & coverslabs

- To suit all horizontal septic and holding tanks
- Coverslabs suitable for pedestrian traffic only
- Radius of saddle riser varies to suit tank
- Each component fitted with 1.3t 'Swiftlift' anchors for lifting

TYPE 34

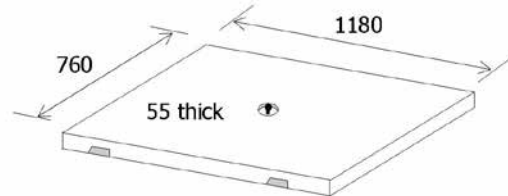
Suitable for 622L pump chamber.



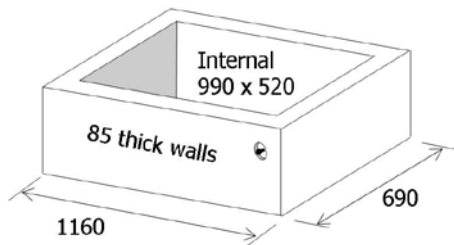
Weight 192kg

TYPE 33

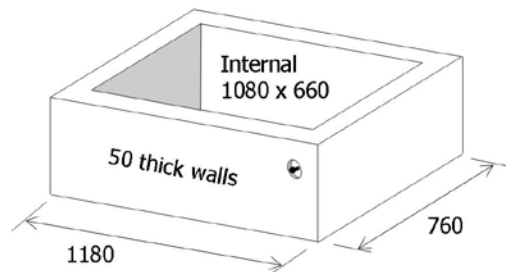
Suitable for all other horizontal tanks.



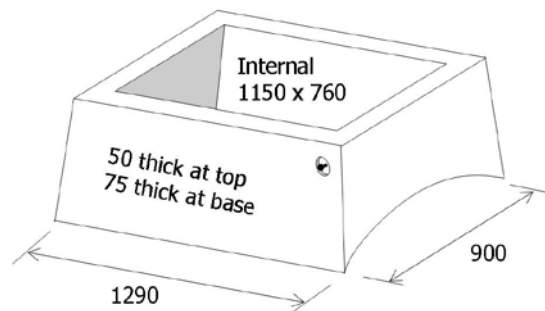
Weight 100kg



200 mm - weight 96kg
450 mm - weight 268kg



200 mm - weight 86kg
300 mm - weight 124kg
400 mm - weight 166kg
450 mm - weight 188kg



250 mm - weight 235kg
450 mm - weight 320kg
475 mm (4,300 litre) - weight 320kg
495 mm (5,000 litre) - weight 335kg